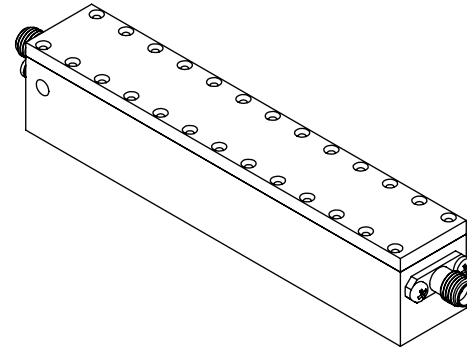


DWG NO.		Envelope Drawing		SH	1	OF	2	REV	1
REVISIONS									
ECN	REV.	DESCRIPTION	CHNG/DATE	APPVD/DATE					
	0	PRELIMINARY	2016-07-08/JSW						

NUWAVES ENGINEERING PROPRIETARY INFORMATION
 THIS DOCUMENT IS THE SOLE PROPERTY OF NUWAVES ENGINEERING
 THE RELEASE OF DATA CONTAINED IN THIS DOCUMENT AND THE
 REPRODUCTION OF THIS DOCUMENT, IN WHOLE OR IN PART, WITHOUT THE
 WRITTEN PERMISSION OF NUWAVES ENGINEERING, INC. ARE PROHIBITED.

ELECTRICAL SPECIFICATIONS:

- C.F. = 2050 MHz NOMINAL
- I.L. = 0.75 dB MAX @ 2050 MHz
- FLATNESS WITHIN 1.5 dB OVER 1700 TO 2400 MHz
- VSWR = 2:1 MAX OVER 1700 TO 2400 MHz (REF 50 OHMS)
- 40 dBc MIN @ 1600 MHz
- 25 dBc MIN @ 3000 MHz
- OPERATING TEMPERATURE: 0 TO 70 °C
- POWER HANDLING = 50 WATTS C.W. OVER PASSBAND

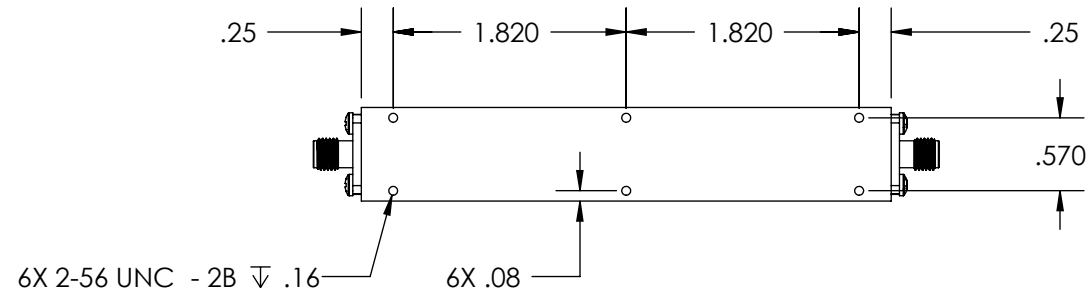
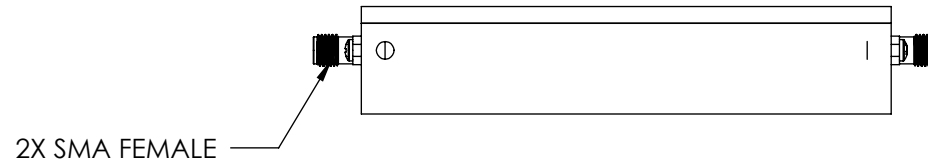
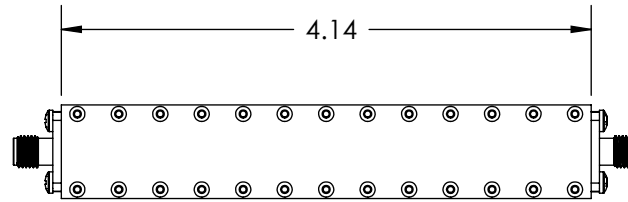
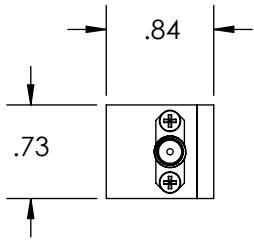


APPLIES TO MODEL NW-FL-12BPCV-2049.5-SMSF-M01

UNLESS OTHERWISE SPECIFIED <small>* INTERPRET DRAWING IAW ASME Y14.100-2004 * DIMENSIONING AND TOLERANCING IAW ASME Y14.5-1994 * PARENTHETICAL INFORMATION FOR REFERENCE ONLY * DIMENSIONAL LIMITS APPLY BEFORE PROCESSES * DIMENSIONS ARE IN INCHES * TOLERANCES ARE: ANGLES ±1.0° 2 PLACE DECIMAL ±.02 * SURFACE FINISH 63 3 PLACE DECIMAL ±.005 * REMOVE ALL BURRS AND SHARP EDGES .010 RAD MAX. * CONCENTRICITY MACHINED DIA: .002 FIM * MACHINED TOOL MISMATCH: .002 MAX.</small> DO NOT SCALE DRAWING	3rd ANGLE PROJECTION		NUWAVES ENGINEERING 122 Edison Dr. Middletown OH, 45044 (USA)			
	ANSI		DRAWN JSW		DATE 2016-03-23	
	CHECKED ---		TITLE FILTER, BANDPASS, COMBLINE - OUTLINE DRAWING			
	ENGRG ---					
	MFG ---		SIZE A	CAGE CODE	DWG NO. Envelope Drawing	REV 0
		SCALE: 2:3	SHEET 1 OF 2			

NOTES:

- 1. MATERIAL: HOUSING - AL ALLOY, LID - AL ALLOY
- 2. FINISH: NONE
- 3. CONNECTORS MIL-C-39012 COMPLIANT



SIZE A	CAGE CODE	DWG NO. Envelope Drawing	REV 0
SCALE: 2:3		SHEET 2 OF 2	

Bandpass Filter: NW-FL-12BPCV-2049.5-SMSF-M01, 2016-07-08

